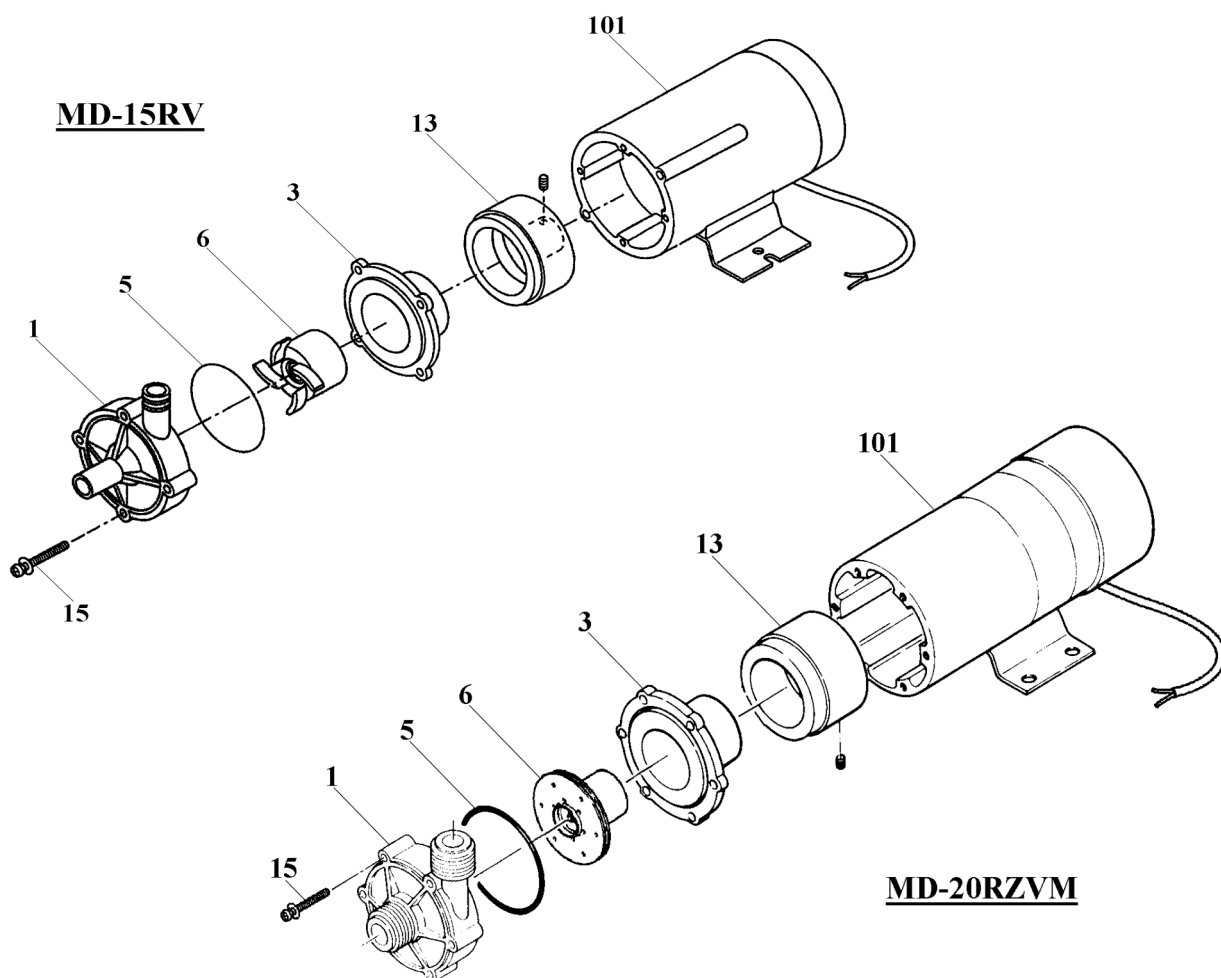


MD-15RV • 20RZVM

No. 52-011
Mar. 01, 2006



Item	Description		Q'ty	Material	MD-15RV		MD-20RZVM	
					Part No.		Part No.	
1	Front Casing (+Bearing) Unit		1	CFRPvdF+PTFE	MD0715		*MD0718	
	" 'M' "		1				MD0720	
3	Rear Casing (+Bearing) Unit		1	CFRPvdF+PTFE	MD0716		MD0721	
5	O-Ring	AS568-034	1	FKM	MD0007			
			1	EPDM	MD0008			
		81x1,78	1	FKM			MD0003	
			1	EPDM			MD0004	
6	Impeller Unit		1	CFRPvdF+Ferrite+ Alumina Ceramic	MD0717			
			1				MD0722	
13	Drive Magnet Unit		1	Aluminium+Ferrite	MD0614		MD0615	
15	Screw+SW+PW	M4x28	4	SUS304 equivalent	MD0017			
		M4x32	6	SUS304 equivalent			MD0043	
101	Motor '220N' [AC220/240V]		10W	1	MD0626			
			20W	1			MD0405	

*Note: "Hose" connection type Front Casing Unit (not illustrated) for MD-20RZV is optionally available.

⚠ Subject to change without prior notice! ⚠ Actual pump may differ from the exploded view!