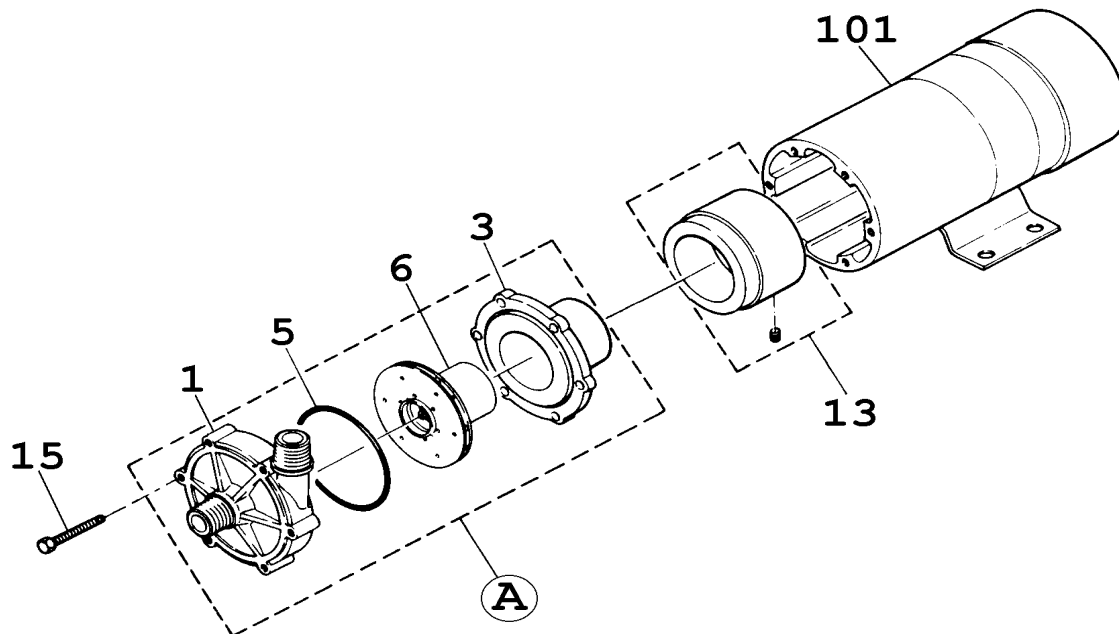


# MD-15F • 30F

No. 52-014  
Mar. 01, 2006



| Item | Description                  |               | Q'ty | Material                | MD-15F   |  | MD-30F   |  |
|------|------------------------------|---------------|------|-------------------------|----------|--|----------|--|
|      |                              |               |      |                         | Part No. |  | Part No. |  |
| 1    | Front Casing (+Bearing) Unit |               | 1    | CFRETFE+SiC             | MD0181   |  | MD0197   |  |
| 3    | Rear Casing (+Bearing) Unit  |               | 1    | CFRETFE+SiC             | MD0187   |  | MD0203   |  |
| 5    | O-Ring                       | G-65 • G-80   | 1    | FKM-A                   | MD0182   |  | MD0198   |  |
|      |                              |               | 1    | EPDM                    | MD0060   |  | MD0199   |  |
|      |                              |               | 1    | Aflas®                  | MD9967   |  | MD9966   |  |
| 6    | Impeller Unit                | "X" Ø 60 mm   | 1    | CFRETFE+SiC<br>+Ferrite | MD0184   |  |          |  |
|      |                              | "Y" Ø 51 mm   | 1    |                         | MD0185   |  |          |  |
|      | Impeller Unit                | "X" Ø 76 mm   | 1    |                         |          |  | MD0200   |  |
|      |                              | "Y" Ø 65,3 mm | 1    |                         |          |  | MD0201   |  |
| 13   | Drive Magnet Unit            |               | 1    | Aluminium+Ferrite       | MD0615   |  | MD0616   |  |
| 15   | Screw+S.W.+P.W.              | M4x32         | 6    | SUS304 equivalent       | MD0043   |  | ï        |  |
| 101  | Motor 'N' [AC220/240V] 10W   |               | 1    |                         | MD0395   |  |          |  |
|      | Motor 'N' [AC220/240V] 45W   |               | 1    |                         |          |  | MD0406   |  |
| A    | Wet End Set "X"              |               | 1    | with FKM-A              | MD0194   |  | MD0209   |  |
|      | Wet End Set "Y"              |               | 1    | with FKM-A              | MD0195   |  | MD0211   |  |

⚠ Subject to change without prior notice! ⚠ Actual pump may differ from the exploded view!