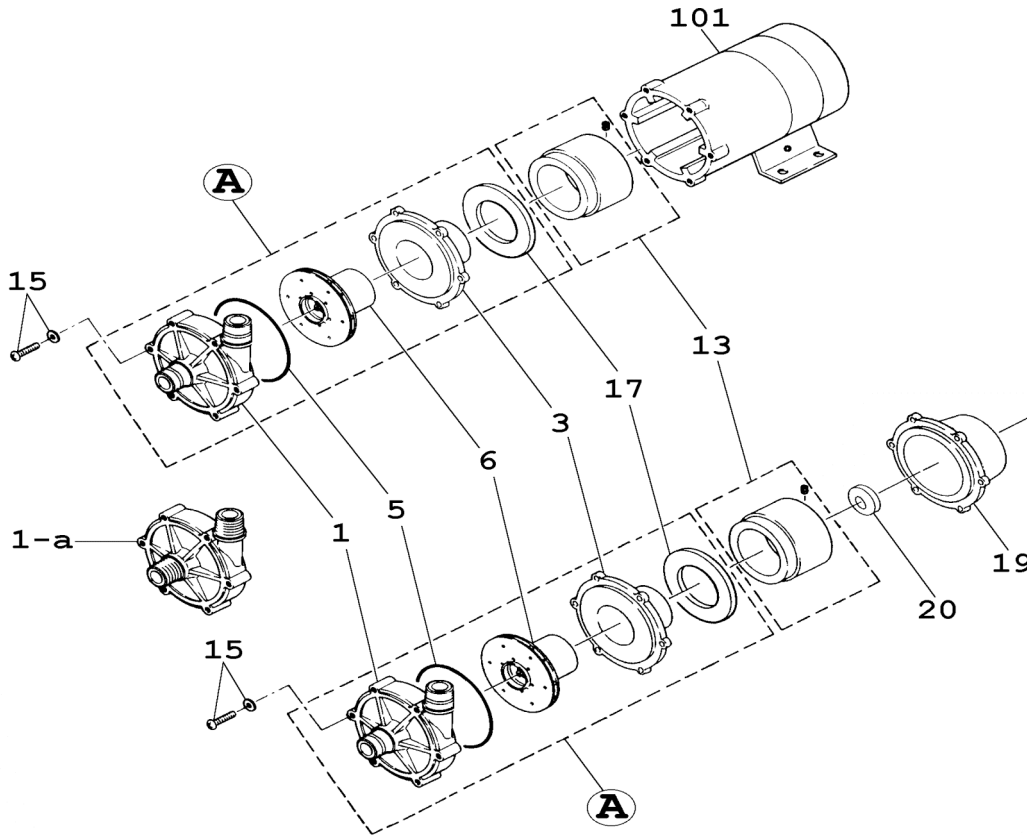


MD-100R • 100R-5

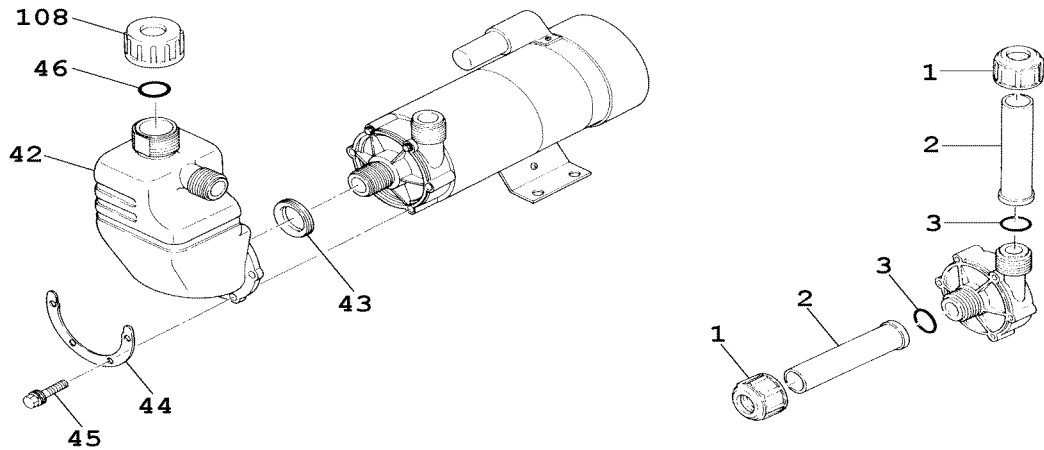
No. 51-041
Mar. 01, 2006



Item	Description	Q'ty	Material	MD-100R	MD-100R-5
				Part No.	Part No.
1	Front Casing (+Bearing) Unit	1	GFRPP+PTFE+	MD0143	ï
1-a	" 'M' "	1	Alumina Ceramic	MD0144	ï
3	Rear Casing (+Bearing) Unit	1	GFRPP+PTFE	MD0149	ï
5	O-Ring	AS568-244	FKM	MD0145	ï
			EPDM	MD0514	ï
6	Impeller Unit	Ø 84 mm	CFRPP+PTFE+	MD0147	
		Ø 100 mm	Al.Ceramic+Ferrite		MD0631
13	Drive Magnet Unit (Ø14mm)	1	Aluminium+Ferrite	MD0150	ï
*13	" for IEC Motor (Ø14mm)	1		MD0707	ï
15	Bolt+S.W.+P.W.	M6x50	SUS304 equivalent	MD0378	ï
17	Retainer Ring	1	SUS304	MD0155	ï
101	Motor [AC220/240V] 1-Phase	1		MD0332	ï
	Motor [AC400/440V] 3-Phase	1		MD0334	ï
*19	Bracket for IEC Motor	1	FC200	MD0336	ï
*20	Spacer for IEC Motor	1	Aluminium	MD0411	ï
A	Wet End Set	1	with FKM	MD0158	MD0160
		1	with EPDM		
A	Wet End Set, 'M' Type	1	with FKM	MD0159	MD0161
		1	with EPDM		

Note: Items marked with * are required to fit an IEC Motor.

△ Subject to change without prior notice! △ Actual pump may differ from the exploded view!



Self-Priming Chamber							
Description		Q'ty	Remarks	Code No.		Models to apply	
SC-4V (Complete Set)		1	with FKM	11113350		MD-30RM•40RM	
SC-4E (Complete Set)		1	with EPDM	11113351			
SC-7V (Complete Set)		1	with FKM	11114327		MD-70RM	
SC-7E (Complete Set)		1	with EPDM	11114328			
Item	Description	Q'ty	Material	SC-4V•4E		SC-7V•7E	
				Part No.		Part No.	
42	Chamber	1	Polypropylene	MD0379		MD0387	
43	Gasket	1	FKM	MD0384		MD0392	
		1	EPDM	MD0385		MD0393	
44	Ring	1	SUS304	MD0383		MD0391	
45	Bolt+Washer	M5x45	SUS304 equivalent	MD0477			
		M5x55	SUS304 equivalent			MD0632	
46	O-Ring, P-26	1	FKM	MD0381		ï	
		1	EPDM	MD0382		ï	
108	Cap	1	Polypropylene	MD0380		ï	

Union Joint										
Description		Q'ty	Remarks	Code No.		Models to apply				
Complete Set * 2 sets are required for one pump.	1	Ø 13 mm		11119107	with FKM	MD-15RM•20RZM•30RZM				
	1			11119108	with EPDM					
	1	Ø 16 mm		11119109	with FKM	MD-20RM•30RM•40RM•40RZ(-5)M•MD-70RZM				
	1			11119110	with EPDM					
	1	Ø 20 mm		11119112	with FKM	MD-20RXM•30RXM•40RXM•MD-55R(-5)M•70RM•100R(-5)M				
	1			11119113	with EPDM					
Item	Description	Q'ty	Material	Ø 13 mm		Ø 16 mm		Ø 20 mm		
				Part No.		Part No.		Part No.		
1	Nut	1	PP	MD0640		MD0641		MD0642		
2	Socket	1	PVC	MD0494		MD0497		MD0500		
3	O-Ring	AS568-016	1	FKM	MD0374					
			1	EPDM	MD0515					
		AS568-017	1	FKM			MD0375			
			1	EPDM			MD0517			
		AS568-020	1	FKM					MD0376	
			1	EPDM					MD0518	

⚠ Subject to change without prior notice! ⚠ Actual pump may differ from the exploded view!