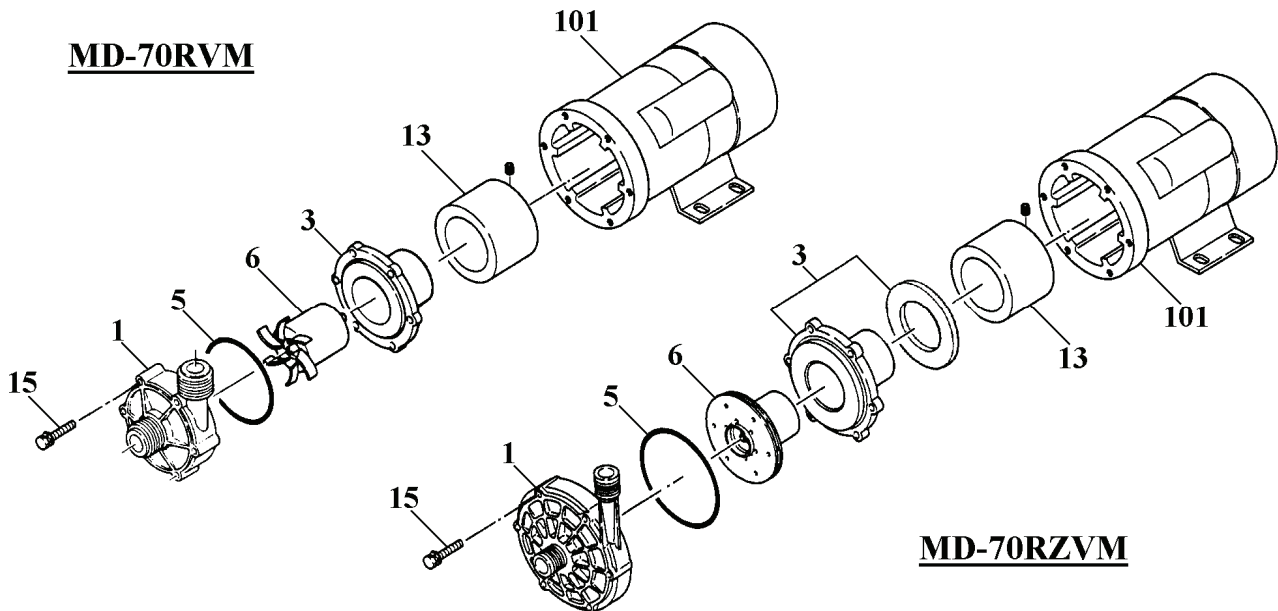


MD-70RVM • 70RZVM

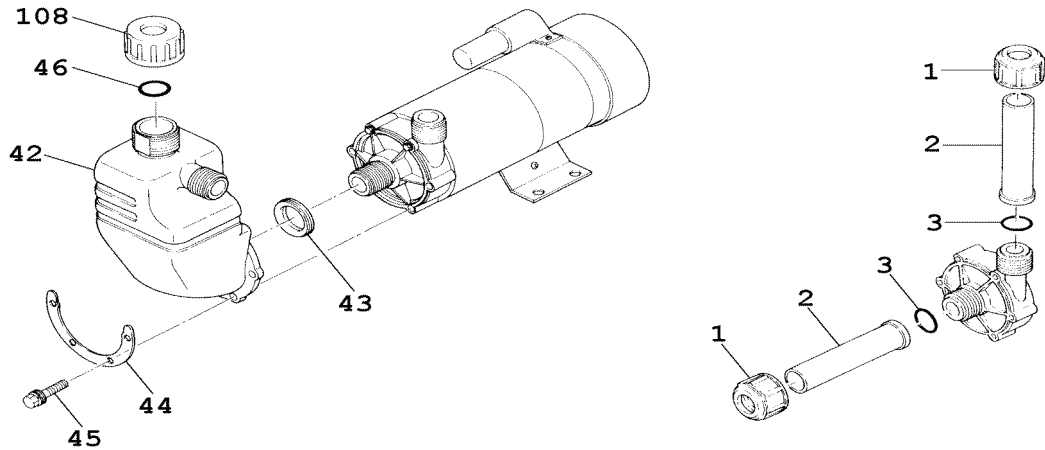
No. 52-113
Nov. 01, 2010



Item	Description	Q'ty	Material	MD-70RVM		MD-70RZVM	
				Part No.		Part No.	
1	Front Casing 'M' (+Bearing) Unit	1	CFRPVDF+PTFE	MD0729			
		1	CFRPVDF+PPS			MD0820	
3	Rear Casing (+Bearing) Unit	1	CFRPVDF+PTFE	MD0731			
	" " " + Retainer Ring "	1	CFRPVDF+PPS+S4			MD0821	
5	O-Ring	AS568-242	FKM	MD0107		↔	
			EPDM	MD0409		↔	
6	Impeller Unit	1	CFRPVDF+Ferrite	MD0732			
		1	+Alumina Ceramic			MD0737	
13	Drive Magnet Unit	1	Aluminium+Ferrite	MD0131		↔	
15	Bolt+S.W.+P.W.	6	SUS304 equivalent	MD0377		↔	
101	Motor [AC220/240V] 1-Phase	1		MD0327			MD0595
	Motor [AC400/440V] 3-Phase	1		MD0329			MD0597
*	Front Casing (+Bearing) Unit	1	CFRPVDF+PTFE	MD0728			
		1	CFRPVDF+PPS				MD0819

*Note: "Hose" connection type Front Casing Unit (not illustrated) is optionally available.

△ Subject to change without prior notice! △ Actual pump may differ from the exploded view!



Self-Priming Chamber		Description	Q'ty	Remarks	Code No.	Models to apply	
		SC-4V (Complete Set)	1	with FKM	11113350	MD-30RM•40RM	
		SC-4E (Complete Set)	1	with EPDM	11113351		
		SC-7V (Complete Set)	1	with FKM	11114327	MD-70RM	
		SC-7E (Complete Set)	1	with EPDM	11114328		
Item	Description	Q'ty	Material	SC-4V•4E		SC-7V•7E	
				Part No.		Part No.	
42	Chamber	1	Polypropylene	MD0379		MD0387	
43	Gasket	1	FKM	MD0384		MD0392	
			EPDM	MD0385		MD0393	
44	Ring	1	SUS304	MD0383		MD0391	
45	Bolt+Washer	M5x45	SUS304 equivalent	MD0477			
		M5x55	SUS304 equivalent			MD0632	
46	O-Ring, P-26	1	FKM	MD0381		ï	
			EPDM	MD0382		ï	
108	Cap	1	Polypropylene	MD0380		ï	

Union Joint		Description	Q'ty	Remarks	Code No.	Models to apply				
Complete Set * 2 sets are required for one pump.		1	Ø 13 mm	11119107	with FKM	MD-15RM•20RZM•30RZM				
		1		11119108	with EPDM					
		1	Ø 16 mm	11119109	with FKM	MD-20RM•30RM•40RM•40RZ(-5)M•MD-70RZM				
		1		11119110	with EPDM					
		1	Ø 20 mm	11119112	with FKM	MD-20RXM•30RXM•40RXM•MD-55R(-5)M•70RM•100R(-5)M				
		1		11119113	with EPDM					
Item	Description	Q'ty	Material	Ø 13 mm		Ø 16 mm		Ø 20 mm		
				Part No.		Part No.		Part No.		
1	Nut	1	PP	MD0640		MD0641		MD0642		
2	Socket	1	PVC	MD0494		MD0497		MD0500		
3	O-Ring	1	FKM	MD0374						
			EPDM	MD0515						
		1	FKM			MD0375				
			EPDM			MD0517				
		1	FKM						MD0376	
			EPDM						MD0518	

⚠ Subject to change without prior notice! ⚠ Actual pump may differ from the exploded view!