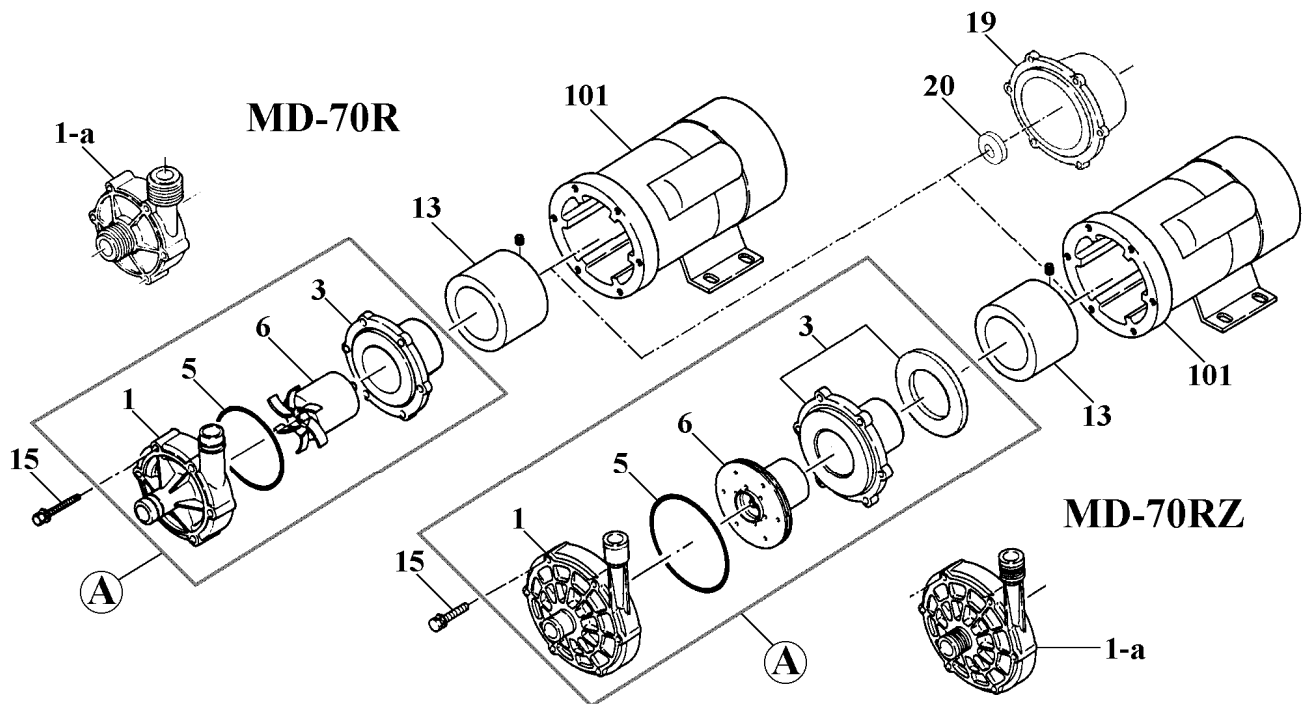


MD-70R • 70RZ

No. 51-140
Nov. 01, 2010



Item	Description	Q'ty	Material	MD-70R		MD-70RZ	
				Part No.		Part No.	
1	Front Casing (+Bearing) Unit	1	GFRPP+PTFE	MD0124			
		1	GFRPP+PPS			MD0824	
1-a	Front Casing 'M' (+Bearing) Unit	1	GFRPP+PTFE	MD0125			
		1	GFRPP+PPS			MD0827	
3	Rear Casing (+Bearing) Unit	1	GFRPP+PTFE	MD0130			
	" " " + Retainer Ring "	1	GFRPP+PPS+SUS304			MD0825	
5	O-Ring	AS568-242	FKM	MD0107		↔	
			EPDM	MD0409		↔	
6	Impeller (+Thrust+Spindle) Unit	1	GFRPP+CE+Ferrite	MD0128			
		1	CFRPP+CE+Ferrite			MD0521	
13	Drive Magnet Unit (Ø11,5mm)	1	Aluminium+Ferrite	MD0131		↔	
*13	" for IEC Motor (Ø11,0mm)	1		MD0637		↔	
15	Bolt+S.W.+P.W.	6	SUS304 equivalent	MD0377		↔	
101	Motor [AC220/240V] 1-Phase	1		MD0327			MD0595
	Motor [AC400/440V] 3-Phase	1		MD0329			MD0597
*19	Bracket for IEC Motor	1	FC200	MD0638		↔	
*20	Spacer for IEC Motor	1	Aluminium	MD0636		↔	
A	Wet End Set	1	with FKM	MD0139			MD0828
		1	with EPDM				
A	Wet End Set, 'M' Type	1	with FKM	MD0140			MD0829
		1	with EPDM				

Note: Items marked with * are required to fit an IEC Motor.

△ Subject to change without prior notice! △ Actual pump may differ from the exploded view!