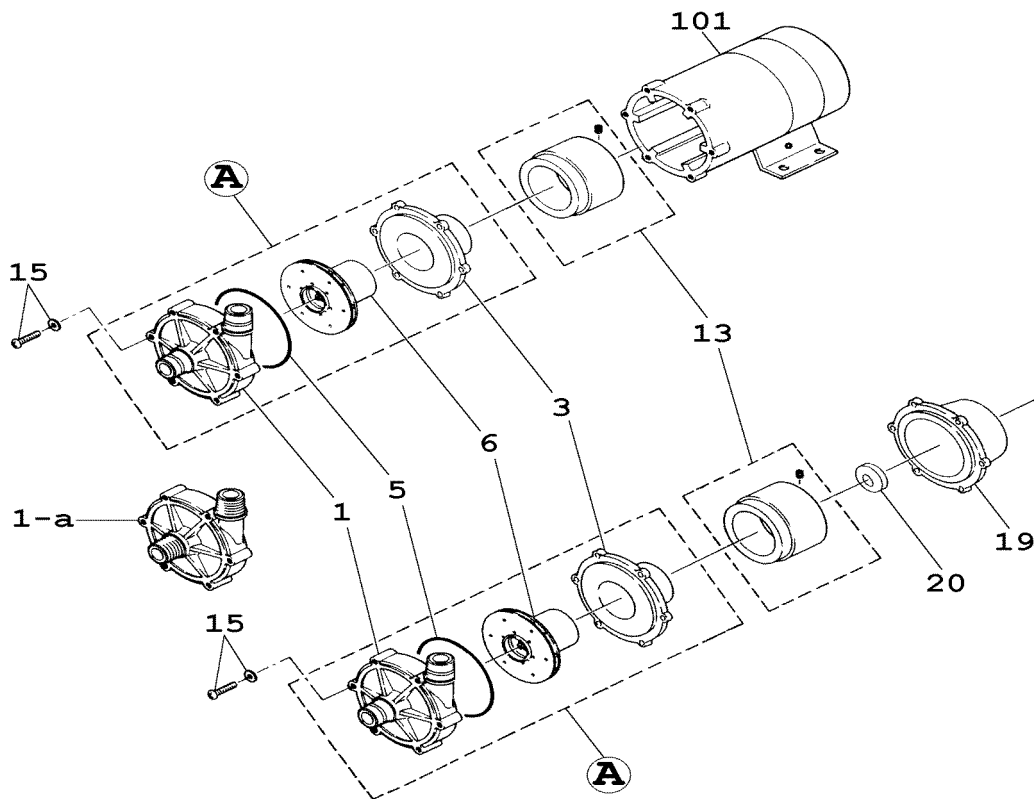


MD-55R • 55R-5

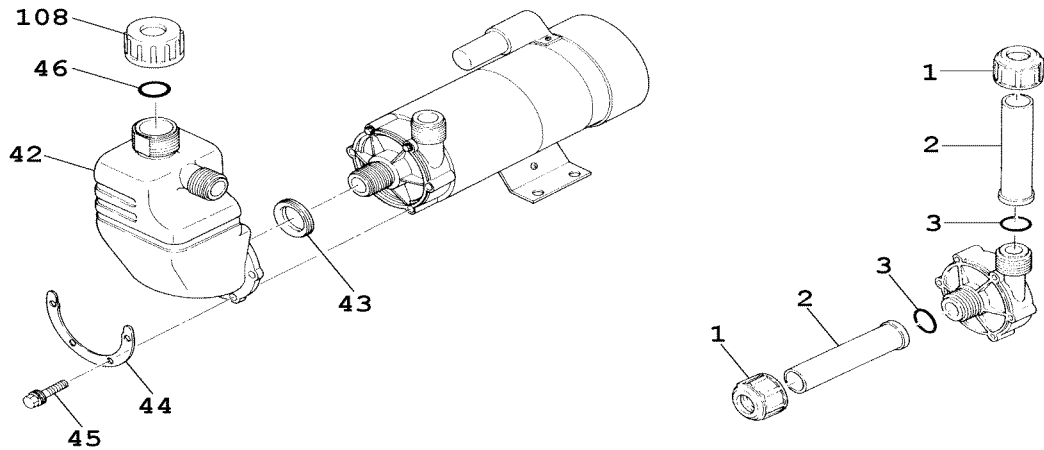
No. 51-039
Mar. 01, 2006



Item	Description		Q'ty	Material	MD-55R		MD-55R-5	
					Part No.		Part No.	
1	Front Casing (+Bearing) Unit		1	GFRPP+PTFE	MD0105		ĩ	
1-a	" 'M' " "		1		MD0106		ĩ	
3	Rear Casing (+Bearing) Unit		1	GFRPP+PTFE	MD0111		ĩ	
5	O-Ring	AS568-242	1	FKM	MD0107		ĩ	
			1	EPDM	MD0409		ĩ	
6	Impeller Unit	Ø 72,5 mm	1	GFRPP+Ferrite+	MD0109			
		Ø 85 mm	1	Alumina Ceramic			MD0110	
13	Drive Magnet Unit (Ø11,5mm)		1	Aluminium+Ferrite	MD0112		ĩ	
*13	" for IEC Motor (Ø11,0mm)		1		MD0634		ĩ	
15	Bolt+S.W.+P.W.	M5x50	6	SUS304 equivalent	MD0601		ĩ	
101	Motor [AC220/240V] 90W		1		MD0324		ĩ	
*19	Bracket for IEC Motor		1	FC200	MD0635		ĩ	
*20	Spacer for IEC Motor		1	Aluminium	MD0636		ĩ	
A	Wet End Set		1	with FKM	MD0120		MD0122	
			1	with EPDM				
A	Wet End Set, 'M' Type		1	with FKM	MD0121		MD0123	
			1	with EPDM				

Note: Items marked with * are required to fit an IEC Motor.

⚠ Subject to change without prior notice! ⚠ Actual pump may differ from the exploded view!



Self-Priming Chamber							
Description		Q'ty	Remarks	Code No.	Models to apply		
SC-4V (Complete Set)		1	with FKM	11113350	MD-30RM•40RM		
SC-4E (Complete Set)		1	with EPDM	11113351			
SC-7V (Complete Set)		1	with FKM	11114327			
SC-7E (Complete Set)		1	with EPDM	11114328	MD-70RM		
Item	Description	Q'ty	Material	SC-4V•4E		SC-7V•7E	
				Part No.		Part No.	
42	Chamber	1	Polypropylene	MD0379		MD0387	
43	Gasket	1	FKM	MD0384		MD0392	
		1	EPDM	MD0385		MD0393	
44	Ring	1	SUS304	MD0383		MD0391	
45	Bolt+Washer	M5x45	SUS304 equivalent	MD0477			
		M5x55	SUS304 equivalent			MD0632	
46	O-Ring, P-26	1	FKM	MD0381		ï	
		1	EPDM	MD0382		ï	
108	Cap	1	Polypropylene	MD0380		ï	

Union Joint										
Description		Q'ty	Remarks	Code No.	Models to apply					
Complete Set * 2 sets are required for one pump.	1	Ø 13 mm		11119107	with FKM	MD-15RM•20RZM•30RZM				
	1			11119108	with EPDM					
	1	Ø 16 mm		11119109	with FKM	MD-20RM•30RM•40RM•40RZ(-5)M•MD-70RZM				
	1			11119110	with EPDM					
	1	Ø 20 mm		11119112	with FKM	MD-20RXM•30RXM•40RXM•MD-55R(-5)M•70RM•100R(-5)M				
	1			11119113	with EPDM					
Item	Description	Q'ty	Material	Ø 13 mm		Ø 16 mm		Ø 20 mm		
				Part No.		Part No.		Part No.		
1	Nut	1	PP	MD0640		MD0641		MD0642		
2	Socket	1	PVC	MD0494		MD0497		MD0500		
3	O-Ring	AS568-016	1	FKM	MD0374					
			1	EPDM	MD0515					
		AS568-017	1	FKM			MD0375			
			1	EPDM			MD0517			
		AS568-020	1	FKM					MD0376	
			1	EPDM					MD0518	

⚠ Subject to change without prior notice! ⚠ Actual pump may differ from the exploded view!