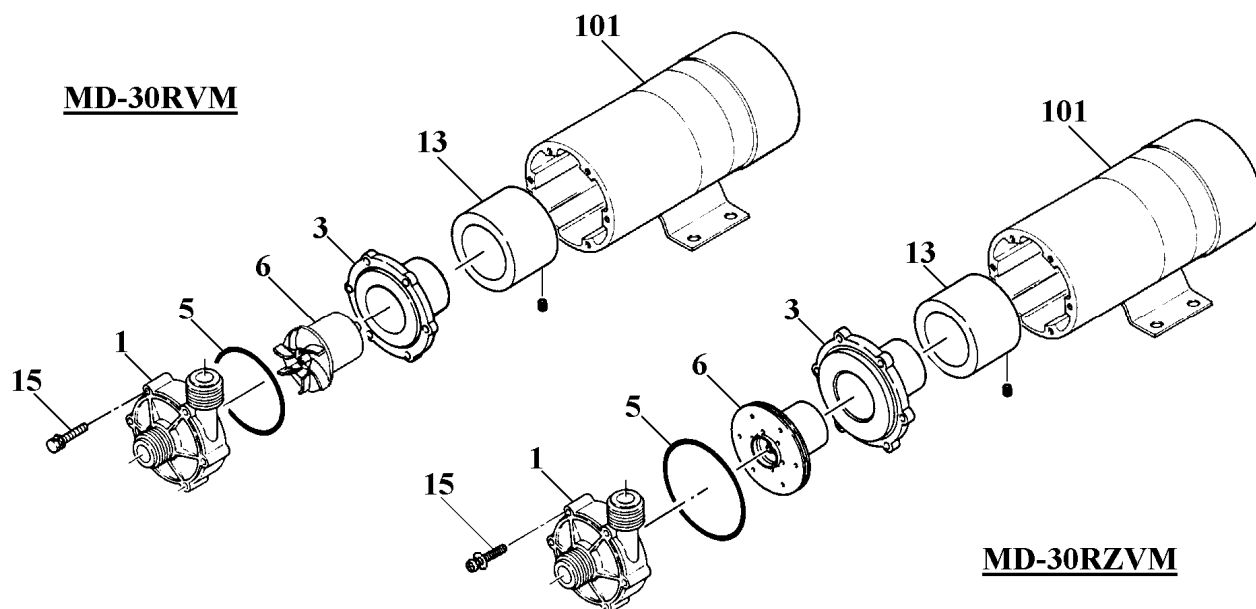


MD-30RVM • 30RZVM

No. 52-112
Apr. 01, 2007



Item	Description	Q'ty	Material	MD-30RVM		MD-30RZVM	
				Part No.		Part No.	
1	Front Casing 'M' (+Bearing) Unit	1	CFRPvdF+PTFE	MD0724		MD0720	
* 3	Rear Casing (+Bearing) Unit	1	CFRPvdF+PTFE	MD0726		MD0603	
5	O-Ring	G-65	1	FKM	MD0059		
			1	EPDM	MD0060		
		81x1,78	1	FKM			MD0003
			1	EPDM			MD0004
6	Impeller Unit	1	CFRPvdF+Ferrite+	MD0727			
		1	Alumina Ceramic			MD0739	
13	Drive Magnet Unit	1	Aluminium+Ferrite	MD0616		↔	
15	Bolt+S.W.+P.W.	M5x40	SUS304 equivalent	MD0377			
	Screw+S.W.+P.W.	M4x32					
101	Motor '220N' [AC220/240V]	45W		MD0404			
		45W				MD0406	
* 1	Front Casing (+Bearing) Unit	1	CFRPvdF+PTFE	MD0723		MD0718	

*Note: "Hose" connection type Front Casing Unit (not illustrated) is optionally available.

⚠ Subject to change without prior notice! ⚠ Actual pump may differ from the exploded view!