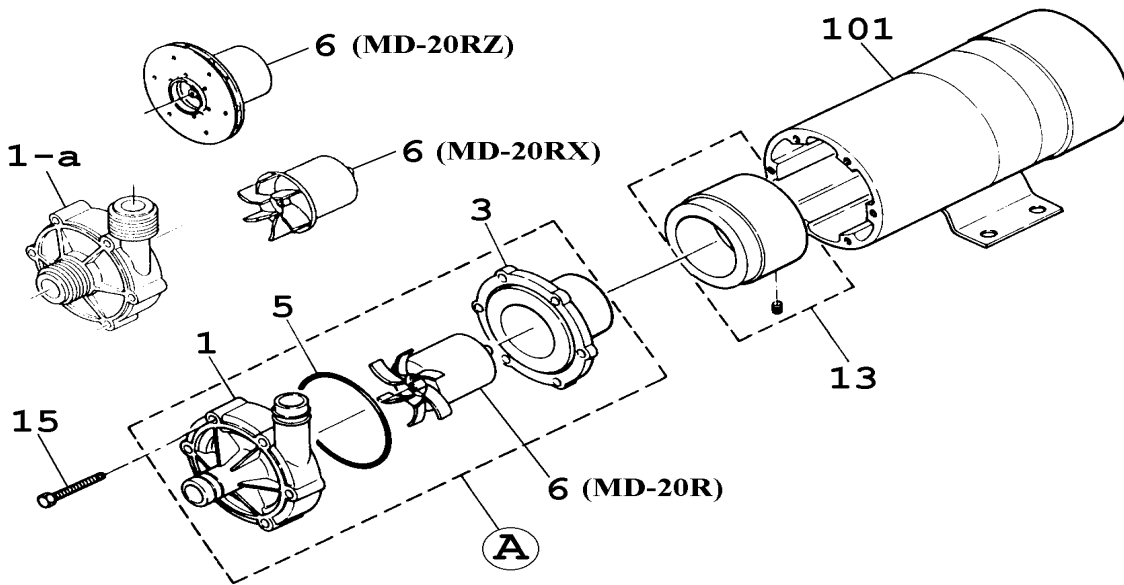


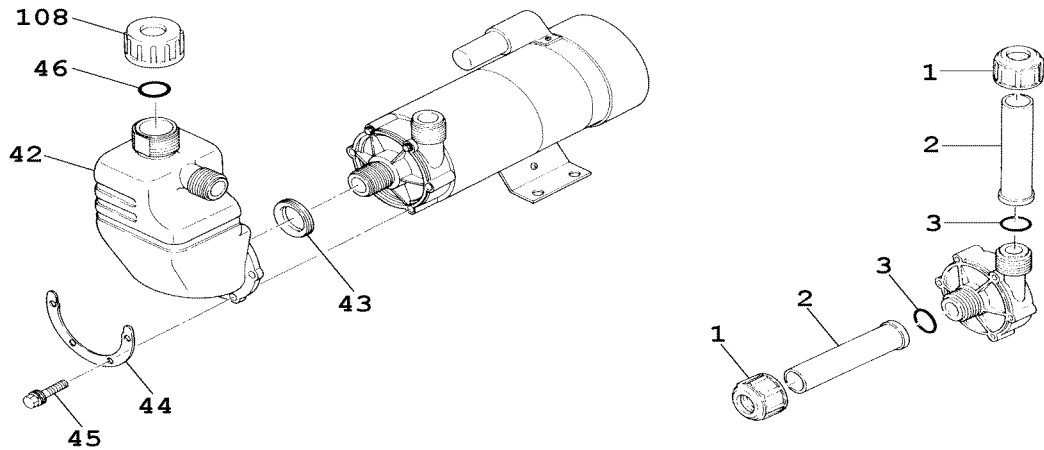
MD-20R • 20RX • 20RZ

No. 51-036
Mar. 01, 2006



Item	Description	Q'ty	Material	MD-20R	MD-20RX	MD-20RZ	
				Part No.	Part No.	Part No.	
1	Front Casing Unit	1	GFRPP+PTFE	MD0027	MD0031	MD0029	
1-a	" 'M' "	1		MD0028	MD0032	MD0030	
3	Rear Casing Unit	1	GFRPP+PTFE	MD0038	ï		
		1				MD0039	
5	O-Ring	AS568-037	1	FKM	MD0033	ï	
			1	EPDM	MD0034	ï	
		81x1,78	1	FKM			MD0003
			1	EPDM			MD0004
6	Impeller Unit	1	GFRPP+CE+F.	MD0501	MD0037	MD0036	
13	Drive Magnet Unit	1	Aluminium+Fer.	MD0615	ï	ï	
15	Screw+ SW+PW	M4x32	SUS304 equiv.	6	MD0043		MD0043
		M4x40		6		MD0045	
101	Motor 'N' 20W [AC220/240V]	1		MD0400	ï		
		1				MD0405	
A	Wet End Set	1	with FKM	MD0503	MD0051	MD0049	
		1	with EPDM				
A	Wet End Set 'M' Type	1	with FKM	MD0504	MD0052	MD0050	
		1	with EPDM				

⚠ Subject to change without prior notice! ⚠ Actual pump may differ from the exploded view!



Self-Priming Chamber							
Description		Q'ty	Remarks	Code No.		Models to apply	
SC-4V (Complete Set)		1	with FKM	11113350		MD-30RM•40RM	
SC-4E (Complete Set)		1	with EPDM	11113351			
SC-7V (Complete Set)		1	with FKM	11114327		MD-70RM	
SC-7E (Complete Set)		1	with EPDM	11114328			
Item	Description	Q'ty	Material	SC-4V•4E		SC-7V•7E	
				Part No.		Part No.	
42	Chamber	1	Polypropylene	MD0379		MD0387	
43	Gasket	1	FKM	MD0384		MD0392	
		1	EPDM	MD0385		MD0393	
44	Ring	1	SUS304	MD0383		MD0391	
45	Bolt+Washer	M5x45	SUS304 equivalent	MD0477			
		M5x55	SUS304 equivalent			MD0632	
46	O-Ring, P-26	1	FKM	MD0381		ï	
		1	EPDM	MD0382		ï	
108	Cap	1	Polypropylene	MD0380		ï	

Union Joint										
Description		Q'ty	Remarks	Code No.		Models to apply				
Complete Set * 2 sets are required for one pump.	1	Ø 13 mm		11119107	with FKM	MD-15RM•20RZM•30RZM				
	1			11119108	with EPDM					
	1	Ø 16 mm		11119109	with FKM	MD-20RM•30RM•40RM•40RZ(-5)M•MD-70RZM				
	1			11119110	with EPDM					
	1	Ø 20 mm		11119112	with FKM	MD-20RXM•30RXM•40RXM•MD-55R(-5)M•70RM•100R(-5)M				
	1			11119113	with EPDM					
Item	Description	Q'ty	Material	Ø 13 mm		Ø 16 mm		Ø 20 mm		
				Part No.		Part No.		Part No.		
1	Nut	1	PP	MD0640		MD0641		MD0642		
2	Socket	1	PVC	MD0494		MD0497		MD0500		
3	O-Ring	1	FKM	MD0374						
			EPDM	MD0515						
		1	FKM			MD0375				
			EPDM			MD0517				
		1	FKM						MD0376	
			EPDM						MD0518	

⚠ Subject to change without prior notice! ⚠ Actual pump may differ from the exploded view!